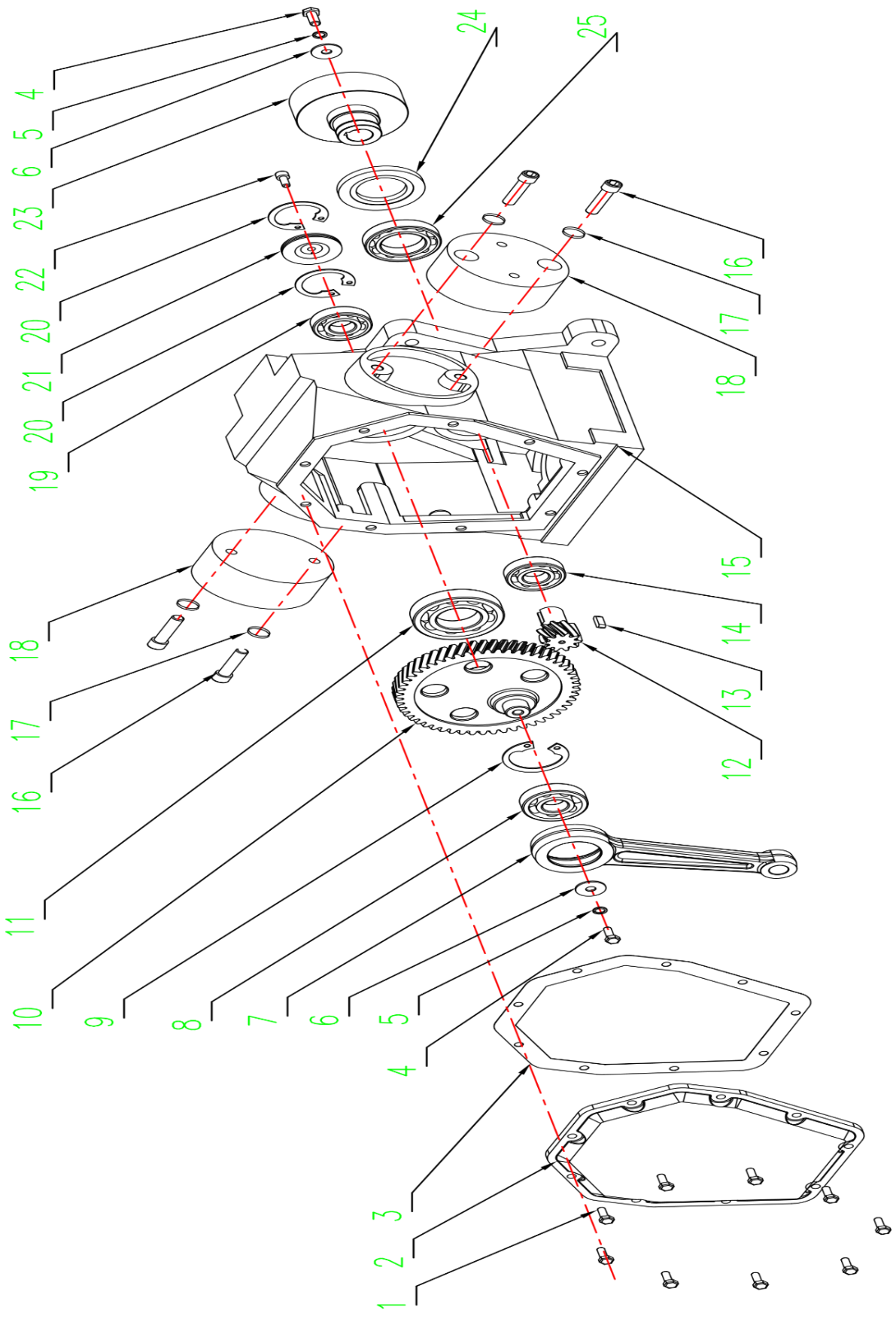


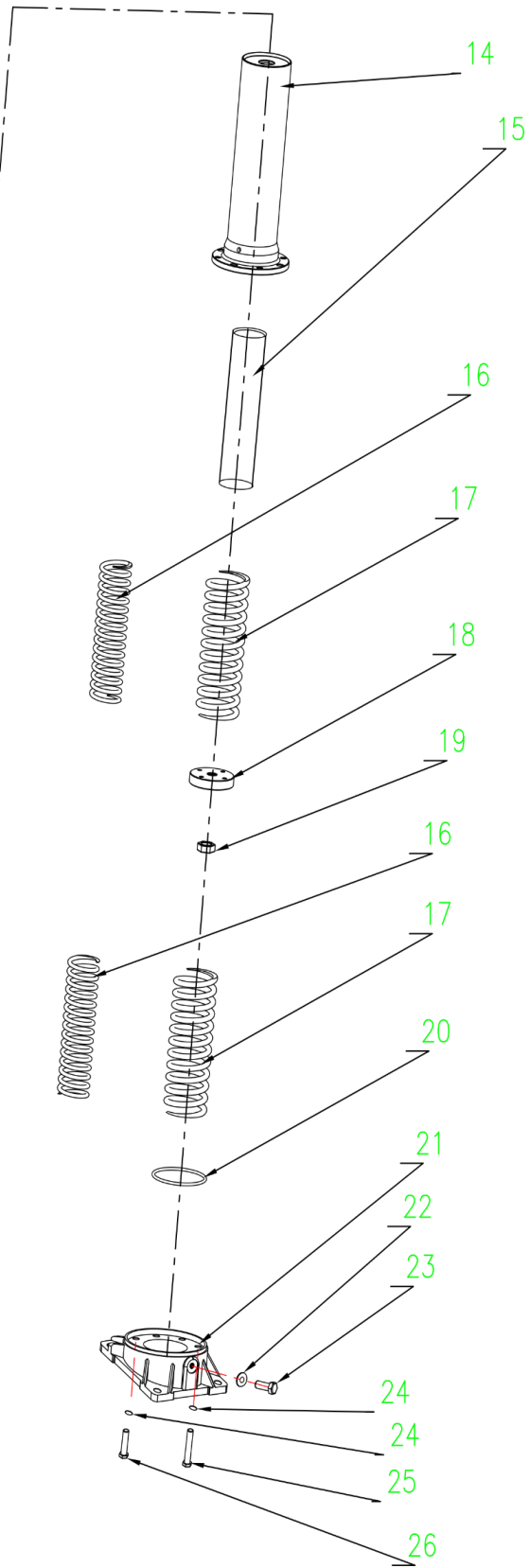
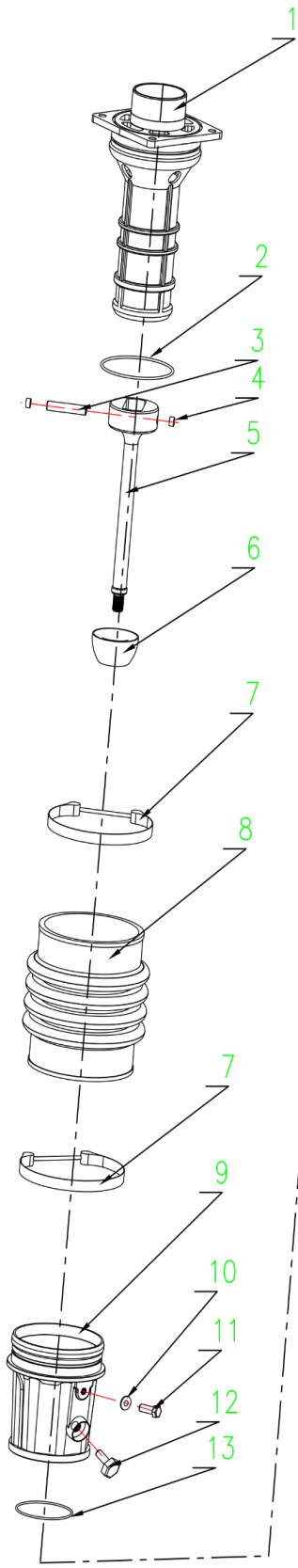
### RM75 General Assembly Spare Parts List (Figure 1)

No.	Item	Description	Specification	Quantity
1	750101	Flange Bolt	M8*25	2pcs
2	750102	Medium Flat washer	Ø8*24	2pcs
3	750103	Fuel Tank Assembly		1set
4	750104	Plastic Handle		1set
5	750105	Protection Frame		1pc
6	750106	Crank Case Assembly		1set
7	750107	Shock Absorber		2pcs
8	750108	Spring Gasket	Ø10	12pcs
9	750109	Inner Hexagon bolt	M10*25	8pcs
10	750110	Cylinder Assembly		1set
11	750111	Inner Hexagon bolt	M10*35	4pcs
12	750112	Locked Nut	M12	4pcs
13	750113	Flat Gasket	Ø12	4pcs
14	750114	Tamping Plate		1pc
15	750115	Countersunk square neck Bolt	M12*70	4pcs
16	750116	Locked Nut	M6	2pcs
17	750117	Throttle lever Assembly		1set
18	750118	Inner Hexagon Bolt	M6*30	2pcs
19	750119	Flange Nut	M8	2pcs
20	750120	Thin thread nut	M12*1.25	1pc
21	750121	Clutch Assembly		1set
22	750122	Key	Ø13*4*5	1pc
23	MD170	Engine		1set
24	750124	External hexagon bolt	M10*60	4pcs
25	750125	Spring Gasket	Ø10	4pcs
26	750126	Nylon Stopper		2pcs
27	750127	Connecting rod pin		1pc
28	750128	“O” Ring	Ø160*6.5	1pc



### RM75 Crank Case Assembly spare parts list (Figure 2)

No.	Item	Description	Specification	Quantity
1	750201	Flange Bolt	M6*18	8pcs
2	750202	Crank case cover		1pc
3	750203	Paper gasket	0.5mm	1pc
4	750204	External hexagon bolt	M8*16	3pcs
5	750205	Spring Gasket	Ø8	3pcs
6	750206	Quenched Flat washer	Ø8*24	3pcs
7	750207	Connecting rod		1pc
8	750208	Deep groove ball bearing	6304	1pc
9	750209	Clip	Ø52	1pc
10	750210	Big gear		1pc
11	750211	Deep groove ball bearing	6207	1pc
12	750212	Small Gear		1pc
13	750213	Key	5*20	1pc
14	750214	Deep groove ball bearing	6304-RS	1pc
15	750215	Crank Case		1pc
16	750216	Inner Hexagon bolt	M10*20	4pcs
17	750217	Spring Gasket	Ø10	4pcs
18	750218	Shock Absorber		2pcs
19	750219	Deep groove ball bearing	6204	1pc
20	750220	Clip	Ø47	2pcs
21	750221	Aluminum Closed Cover		1pc
22	750222	Inner Hexagon bolt	M6*20	1pc
23	750223	Clutch support drum		1pc
24	750224	Oil Seal	TC40*68*8	1pc
25	750225	Deep groove ball bearing	6007	1pc



### RM75 Cylinder Assembly (Figure 3)

No.	Item	Description	specification	quantity
1	750301	Outside cylinder		1pc
2	750302	“O” Ring		2pcs
3	750303	Piston Rod Pin		1pc
4	750304	Nylon stopper		2pcs
5	750305	Connecting Rod		1pc
6	750306	Bowl Gluesheath		1pc
7	750307	Bellow clamp		2sets
8	750308	Bellow		1pc
9	750309	Protection sleeve		1pc
10	750310	Copper Gasket	Ø12	1pc
11	750311	Hexagon Oil plug	M12*1.25	1pc
12	750312	Oil Lever gague	M16*1.5	1pc
13	750313	“O” Ring	102*3	1pc
14	750314	Inside cylinder		1pc
15	750315	Column Gluesheath		1pc
16	750316	Small Spring	Ø6.5*56*230	1pc
17	750317	Big Spring	Ø9*76.5*230	1pc
18	750318	Piston cap		1pc
19	750319	Piston cap nut	M18*1.5	1pc
20	750320	“O” Ring	95*4	1pc
21	750321	Foot plate		1pc
22	750322	Copper Gasket	Ø8	1pc
23	750323	External hexagon bolt	M8*16	1pc
24	750324	Spring Gasket	Ø10	8pcs
25	750325	Inner Hexagon bolt	M10*40	4pcs
26	750326	Inner Hexagon bolt	M10*25	4pcs